

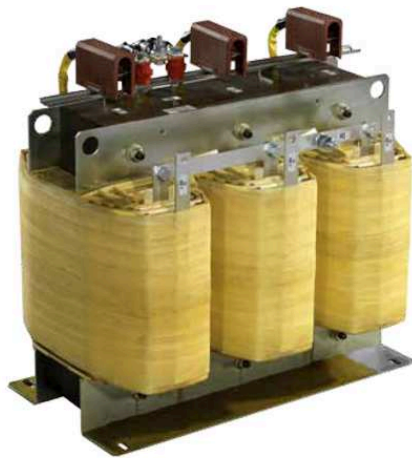
# THREE-PHASE TRANSFORMERS



Low-voltage three-phase isolating and safety transformers up to 40kVA  
**T3T**



**T3T**  
**UP TO 10 KVA**



**T3T**  
**11-40 KVA**



STEEL ENCLOSURE  
 for three-phase transformers  
 pag. 32

## General data

Rated input voltage	100-600 V
Rated output voltage	24-600 V
Rated power	up to 25 k VA (safety transformers) up to 40 kVA (isolating transformers)
Insulation class	class F
Temperature class	class F
Ambient temperature	T <sub>a</sub> =40°C
Protection degree	IP 00
Standard vector group	Dyn11 (others upon request)
Test voltage	4,2 KV/1'
Terminals	terminal blocks or bars

## Applications

Three-phase transformers suitable for any industrial application where it is required the separation between the load and the net. Construction is accordance with the following standards

## Standards

- CEI-EN 61558; p. 2-4 – Isolating transformers
- CEI-EN 61558; p. 2-6 – Safety transformers
- IEC 61558; 2-4; 2-6

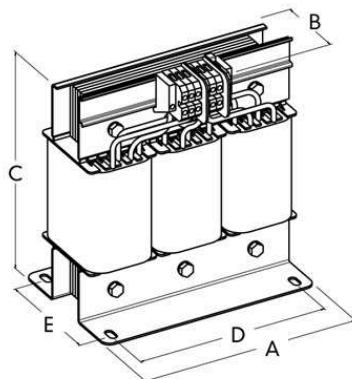


fig. 1

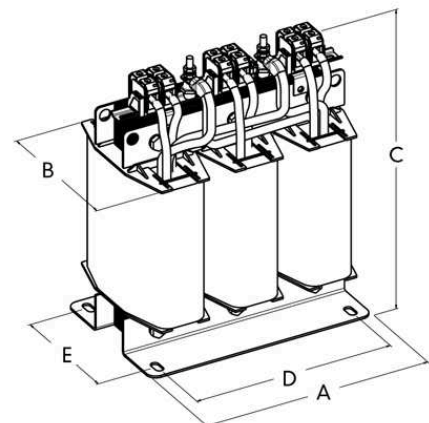


fig. 2

# THREE-PHASE TRANSFORMERS

Low-voltage three-phase isolating  
and safety transformers up to 40kVA  
**T3T**



## Technical data T3T

CODE	RATED POWER	INSULATION CLASS	DIMENSIONS (mm)					WEIGHT	FIG.	BOX
	KVA		A	B	C	D	E			
T3T-0,1...	0,1	F	120	75	110	100	50	2,1	fig. 1	-
T3T-0,16...	0,16	F	120	85	110	100	60	2,8	fig. 1	-
T3T-0,25...	0,25	F	151	95	150	125	60	3,8	fig. 1	-
T3T-0,4...	0,4	F	151	110	150	125	75	5,5	fig. 1	-
T3T-0,5...	0,5	F	180	120	190	150	72	6,7	fig. 1	-
T3T-0,75...	0,75	F	180	140	190	150	92	10,9	fig. 1	-
T3T-1...	1	F	240	145	260	200	80	15	fig. 1	-
T3T-1,5...	1,5	F	240	155	260	200	90	17,6	fig. 1	-
T3T-2...	2	F	240	170	260	200	100	24,8	fig. 1	-
T3T-2,5...	2,5	F	240	185	260	200	115	28,1	fig. 1	-
T3T-3...	3	F	300	160	315	250	91	33	fig. 1	...-1
T3T-4...	4	F	300	170	315	250	101	39	fig. 1	...-1
T3T-5...	5	F	300	190	315	250	121	49	fig. 1	...-1
T3T-6...	6	F	360	170	365	300	106	58	fig. 1	...-2
T3T-7...	7	F	360	180	365	300	116	62	fig. 1	...-2
T3T-8...	8	F	360	190	365	300	126	66	fig. 1	...-2
T3T-9...	9	F	360	200	365	300	136	69	fig. 1	...-2
T3T-10...	10	F	360	210	365	300	146	75	fig. 1	...-2
T3T-15...	15	F	420	250	420	375	150	89	fig. 2	...-3
T3T-20...	20	F	420	270	420	375	172	110	fig. 2	...-3
T3T-25...	25	F	480	270	450	440	180	125	fig. 2	...-4
T3T-30...	30	F	480	280	450	440	190	145	fig. 2	...-4
T3T-40...	40	F	480	315	450	440	220	178	fig. 2	...-4

## Electrical data

RATED POWER	LOSSES (W)			EFFICIENCY 75°	U <sub>cc</sub> %			INRUSH CURRENT
	KVA	no-load	load (75°C)		total	%	U <sub>cc</sub> X	
0,1	5	15	20	83	-	-	13,5	24
0,16	6,5	19,5	26	85,8	-	-	10,9	25
0,25	7,5	24	31,5	88,4	-	-	9	26
0,4	11,5	38	49,5	88,6	-	-	8,8	24
0,5	15	26,5	41,5	92,2	-	-	5,1	22
0,75	22,5	30	52,5	93,3	-	-	3,9	25
1	25,8	42	67,8	93,6	-	-	4	20
1,5	30	64,5	94,5	93,9	-	-	4,2	18
2	37,5	102	139,5	93,4	-	-	4,8	17
2,5	46	114	160	93,9	-	-	4,4	15
3	47	129	176	94,3	-	-	4,2	15
4	58	186	244	94,2	-	-	4,5	15
5	76	169	245	95,3	-	-	3,4	16
6	84	300	384	94	-	-	5,2	14
7	100	285	385	94,7	-	-	4,4	15
8	110	355	465	94,5	-	-	4,5	15
9	122	384	506	94,7	-	-	4,3	15
10	135	387	522	95,06	1,46	4,3	4,55	16
15	192	440	632	96,22	1,7	3,17	3,6	16
20	140	570	710	96,78	1,68	2,6	3,1	16
25	160	720	880	96,6	2,77	2,88	4	18
30	190	800	990	96,81	2,18	2,67	3,45	17
40	235	950	1185	97,12	1,98	2,38	3,1	15

# THREE-PHASE TRANSFORMERS



Low-voltage dry-type three-phase power transformers up to 630kVA  
**T3T**



**T3T**  
**UP TO 80 KVA**



**T3T**  
**81-630 KVA**



STEEL ENCLOSURE  
for three-phase transformers  
pag. 32

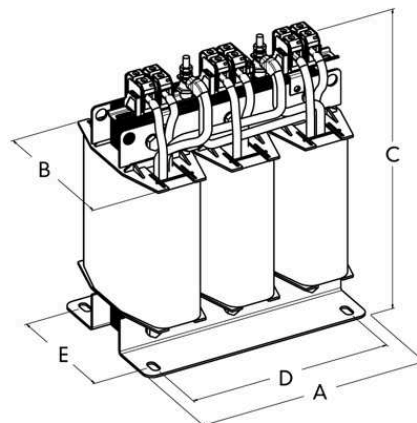


fig. 1

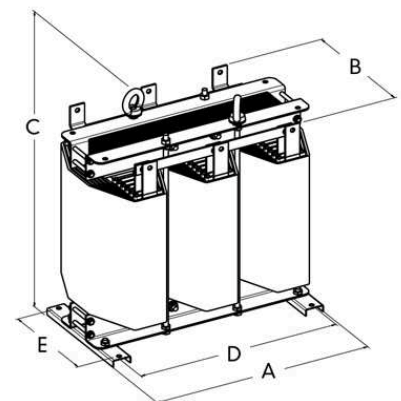


fig. 2

## General data

Rated input voltage	up to 1000 V
Rated output voltage	up to 1000 V
Rated power	41 to 630 kVA
Insulation class	class F
Temperature class	class F
Ambient temperature	T <sub>a</sub> =40°C
Protection degree	IP 00
Standard vector group	Dyn11 (others upon request)
Test voltage	3 KV/1'
Terminals	terminal blocks or bars

## Applications

Three-phase transformers suitable for any industrial application where it is required the isolation or voltage variation between the load and the net. Construction is accordance with the following standards

## Standards

CEI-EN 60076

IEC 60076

## Upon request

The transformers could be customized with different voltages, regulations, taps, different enclosures, wheels for movement, vibration absorbers, electrostatic screen between primary and secondary, temperature control unit with 3PT100 probes inserted

# THREE-PHASE TRANSFORMERS

Low-voltage dry-type three-phase power transformers up to 630kVA

**T3T**



## Technical data T3T

CODE	RATED POWER	INSULATION CLASS	DIMENSIONS (mm)					WEIGHT	FIG.	BOX
	KVA		A	B	C	D	E			
T3T-50...	50	F	600	350	600	540	250	220	fig. 1	...-5
T3T-60...	60	F	600	360	600	540	260	230	fig. 1	...-5
T3T-80...	80	F	600	390	600	540	290	280	fig. 1	...-5
T3T-100...	100	F	600	420	600	540	320	330	fig. 2	...-5
T3T-125...	125	F	720	420	740	660	300	390	fig. 2	...-6
T3T-160...	160	F	720	460	740	660	340	510	fig. 2	...-6
T3T-200...	200	F	720	480	740	660	360	570	fig. 2	...-6
T3T-250...	250	F	720	510	740	660	380	660	fig. 2	...-6
T3T-315...	315	F	720	550	740	660	430	780	fig. 2	...-6
T3T-400...	400	F	960	630	920	-	-	1090	fig. 2	...-7
T3T-500...	500	F	960	680	920	-	-	1335	fig. 2	...-7
T3T-630...	630	F	960	730	920	-	-	1575	fig. 2	...-7

## Electrical data

RATED POWER		LOSSES (W)		EFFICIENCY 75°		U <sub>cc</sub> %		INRUSH CURRENT	
KVA	no-load	load (75°C)	total	%	U <sub>cc</sub> X	U <sub>cc</sub> R 75°	U <sub>cc</sub> tot	x I <sub>n</sub>	
50	245	1300	1545	97	4,32	2,6	5,05	18	
60	265	1600	1865	96,99	4,4	2,67	5,15	15	
80	340	1900	2240	97,28	4,39	2,38	5	15	
100	430	2200	2630	97,44	3,75	2,2	4,35	16	
125	400	2400	2800	97,81	4,23	1,92	4,65	14	
160	520	2800	3320	97,97	3,03	1,75	3,5	14	
200	560	3100	3660	98,2	3,46	1,55	6,8	14	
250	670	3500	4170	98,36	3,47	1,4	3,75	13	
315	840	4000	4840	98,49	3,52	1,27	3,75	14	
400	1120	5060	6180	98,5	6,37	1,27	6,5	15	
500	1340	5565	6905	98,6	5,34	1,12	5,5	15	
630	1650	6780	8430	98,7	4,86	1,08	5	16	